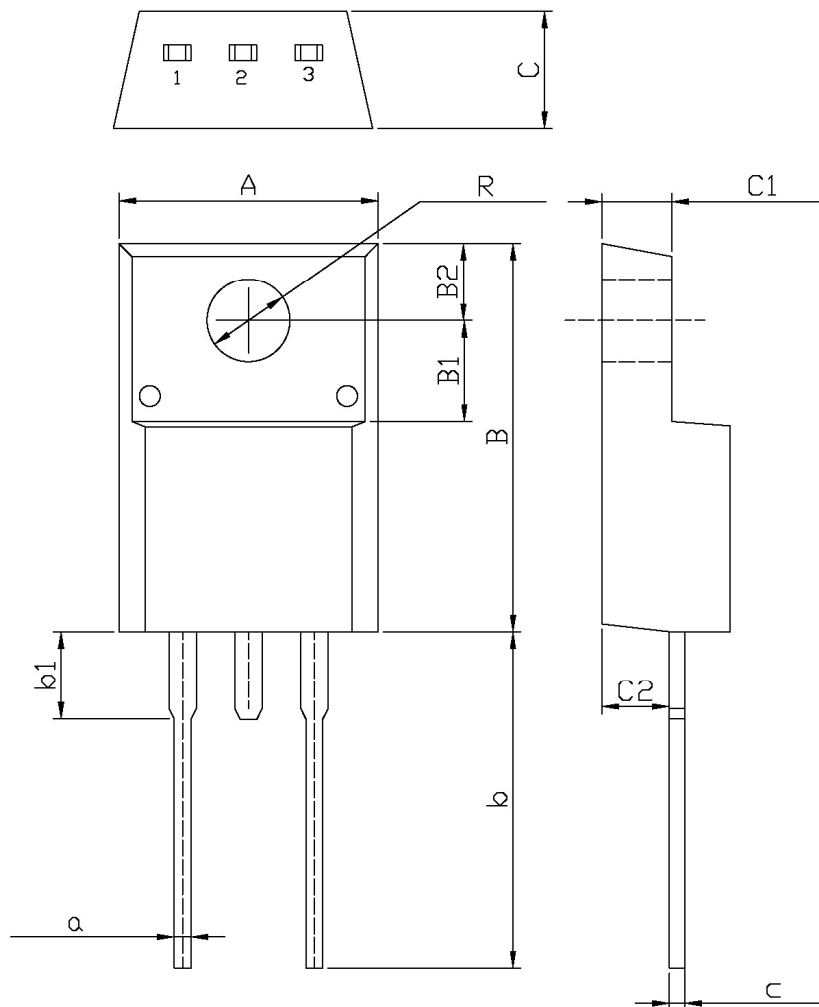




### TO-220FAC 外形尺寸图

TO-220FAC

单位: mm



Symbol	Dimensions In Millimeters		Symbol	Dimensions In Millimeters	
	Min	Max		Min	Max
C	4.3	4.7	b1	2.9	3.9
A	9.7	10.3	a	0.55	0.75
B	14.7	15.3	C1	2.5	2.9
B1	3.8	4.0	C2	2.5	2.7
B2	2.9	3.1	c	0.5	0.7
R	3.0	3.4	b	12.5	13.5

Rev.01 201901